



MCP23016

16-Bit I²C™ I/O Expander

Features

- 16-bit remote bidirectional I/O port
 - 16 I/O pins default to 16 inputs
- Fast I²C™ bus clock frequency (0 - 400 kbits/s)
- Three hardware address pins allow use of up to eight devices
- High-current drive capability per I/O: ±25 mA
- Open-drain interrupt output on input change
- Interrupt port capture register
- Internal Power-On Reset (POR)
- Polarity inversion register to configure the polarity of the input port data
- Compatible with most microcontrollers
- Available temperature range:
 - Industrial (I): -40°C to +85°C

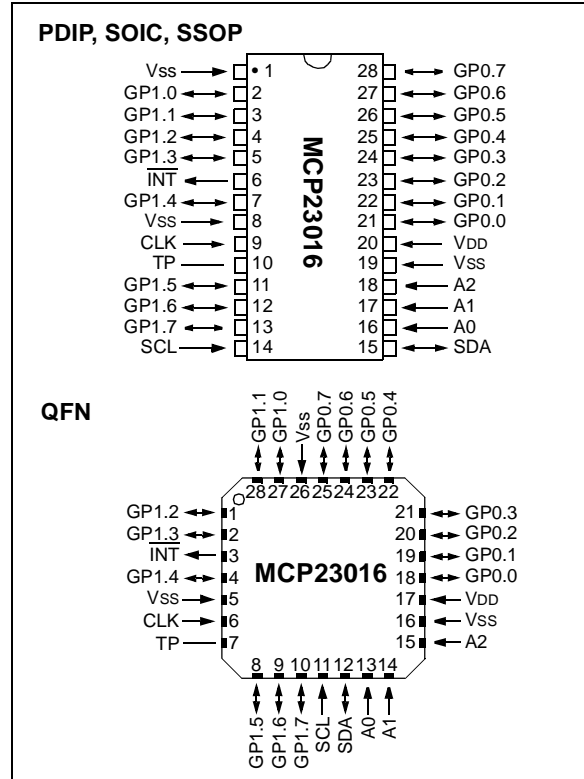
CMOS Technology

- Operating Supply Voltage: 2.0V to 5.5V
- Low standby current

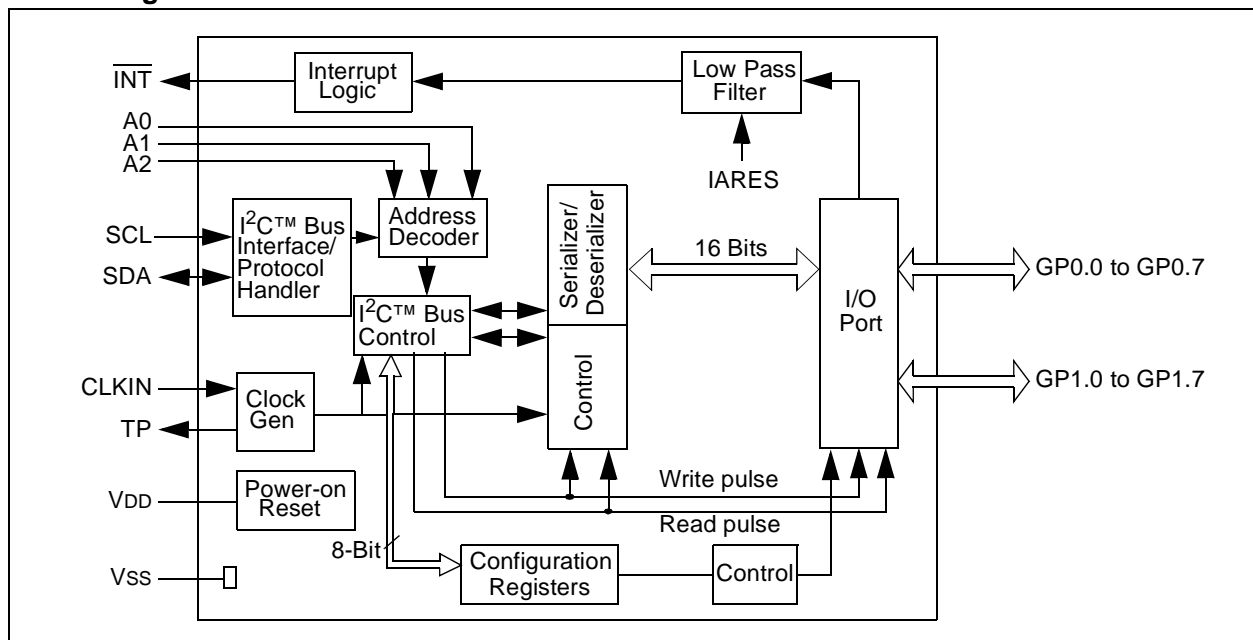
Packages

- 28-pin PDIP, 300 mil; 28-pin SOIC, 300 mil
- 28-pin SSOP, 209 mil; 28-pin QFN, 6x6 mm

Package Types



Block Diagram



MCP23016

NOTES:

1.0 DEVICE OVERVIEW

The MCP23016 device provides 16-bit, general purpose, parallel I/O expansion for I²C bus applications.

This device includes high-current drive capability, low supply current and individual I/O configuration. I/O expanders provide a simple solution when additional I/Os are needed for ACPI, power switches, sensors, push buttons, LEDs and so on.

The MCP23016 consists of multiple 8-bit configuration registers for input, output and polarity selection. The system master can enable the I/Os as either inputs or outputs by writing the I/O configuration bits. The data for each input or output is kept in the corresponding

input or output register. The polarity of the read register can be inverted with the polarity inversion register (see **Section 1.7.3, “Input Polarity Registers”**). All registers can be read by the system master.

The open-drain interrupt output is activated when any input state differs from its corresponding input port register state. This is used to indicate to the system master that an input state has changed. The interrupt capture register captures port value at this time. The Power-on Reset sets the registers to their default values and initializes the device state machine.

Three device inputs (A0 - A2) determine the I²C address and allow up to eight I/O expander devices to share the same I²C bus.

1.1 Pin Descriptions

TABLE 1-1: PINOUT DESCRIPTION

Pin Name	PDIP, SOIC, SSOP Pin No.	QFN Pin No.	I/O/P Type	Buffer Type	Description
CLK	9	6	I	ST	Clock source input
TP	10	7	O	—	Test Pin (This pin must be left floating)
GP1.0	2	27	I/O	TTL	D0 digital input/output for GP1
GP1.1	3	28	I/O	TTL	D1 digital input/output for GP1
GP1.2	4	1	I/O	TTL	D2 digital input/output for GP1
GP1.3	5	2	I/O	TTL	D3 digital input/output for GP1
GP1.4	7	4	I/O	TTL	D4 digital input/output for GP1
GP1.5	11	8	I/O	ST	D5 digital input/output for GP1
GP1.6	12	9	I/O	ST	D6 digital input/output for GP1
GP1.7	13	10	I/O	ST	D7 digital input/output for GP1
GP0.0	21	18	I/O	TTL	D0 digital input/output for GP0
GP0.1	22	19	I/O	TTL	D1 digital input/output for GP0
GP0.2	23	20	I/O	TTL	D2 digital input/output for GP0
GP0.3	24	21	I/O	TTL	D3 digital input/output for GP0
GP0.4	25	22	I/O	TTL	D4 digital input/output for GP0
GP0.5	26	23	I/O	TTL	D5 digital input/output for GP0
GP0.6	27	24	I/O	TTL	D6 digital input/output for GP0
GP0.7	28	25	I/O	TTL	D7 digital input/output for GP0
SCL	14	11	I	ST	Serial clock input
SDA	15	12	I/O	ST	Serial data I/O
$\overline{\text{INT}}$	6	3	O	OD	Interrupt output
A0	16	13	I	ST	Address input 1
A1	17	14	I	ST	Address input 2
A2	18	15	I	ST	Address input 3
VSS	1, 8, 19	5, 16, 26	P	—	Ground reference for logic and I/O pins
VDD	20	17	P	—	Positive supply for logic and I/O pins

MCP23016

1.2 Power-on Reset (POR)

The on-chip POR circuit holds the chip in RESET until VDD has reached a high enough level to deactivate the POR circuit (i.e., release RESET). A maximum rise time for VDD is specified in the electrical specifications.

When the device starts normal operation (exits the RESET condition), device operating parameters (voltage, frequency, temperature) must be met to ensure proper operation.

1.3 Power-up Timer (PWRT)

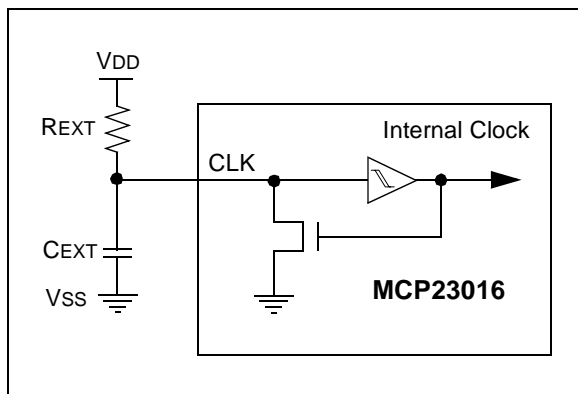
The Power-up Timer provides a 72 ms nominal time-out on power-up, keeping the device in RESET and allowing VDD to rise to an acceptable level.

The power-up time delay will vary from chip-to-chip due to VDD, temperature and process variation. See Table 2-4 for details (TPWRT, parameter 3).

1.4 Clock Generator

The MCP23016 uses an external RC circuit to determine the internal clock speed. The user must connect R and C to the MCP23016, as shown in Figure 1-1.

FIGURE 1-1: CLOCK CONFIGURATION



A 1 MHz (typ.) internal clock is needed for the device to function properly. The internal clock can be measured on the TP pin. Recommended R_{EXT} and C_{EXT} values are shown in Table 1-2.

Note: Set IARES = 1 to measure the clock output on TP.

TABLE 1-2: RECOMMENDED VALUES

R _{EXT}	C _{EXT}
3.9 kΩ	33 pF

1.5 I²C Bus Interface/ Protocol Handler

This block manages the functionality of the I²C bus interface and protocol handling. The MCP23016 supports the following commands:

TABLE 1-3: COMMAND BYTE TO REGISTER RELATIONSHIP

Command Byte	Result
0h	Access to GP0
1h	Access to GP1
2h	Access to OLAT0
3h	Access to OLAT1
4h	Access to IPOL0
5h	Access to IPOL1
6h	Access to IODIR0
7h	Access to IODIR1
8h	Access to INTCAP0 (Read-Only)
9h	Access to INTCAP1 (Read-Only)
Ah	Access to IOCON0
Bh	Access to IOCON1

1.6 Address Decoder

The last three LSb of the 7-bit address are user-defined (see Table 1-4). Three hardware pins (<A2:A0>) define these bits.

TABLE 1-4: DEVICE ADDRESS

0	1	0	0	A2	A1	A0
---	---	---	---	----	----	----

1.7 Register Block

The register block contains the Configuration and Port registers, as shown in Table 1-5.

TABLE 1-5: REGISTER SUMMARY

Name	Bit 7	Bit 6	Bit 5	Bit 4	Bit 3	Bit 2	Bit 1	Bit 0	Value on POR
Port Registers									
GP0	GP0.7	GP0.6	GP0.5	GP0.4	GP0.3	GP0.2	GP0.1	GP0.0	0000 0000
GP1	GP1.7	GP1.6	GP1.5	GP1.4	GP1.3	GP1.2	GP1.1	GP0.0	0000 0000
OLAT0	OL0.7	OL0.6	OL0.5	OL0.4	OL0.3	OL0.2	OL0.1	OL0.0	0000 0000
OLAT1	OL1.7	OL1.6	OL1.5	OL1.4	OL1.3	OL1.2	OL1.1	OL1.0	0000 0000
Configuration Registers									
IPOL0	IGP0.7	IGP0.6	IGP0.5	IGP0.4	IGP0.3	IGP0.2	IGP0.1	IGP0.0	0000 0000
IPOL1	IGP1.7	IGP1.6	IGP1.5	IGP1.4	IGP1.3	IGP1.2	IGP1.1	IGP1.0	0000 0000
IODIR0	IOD0.7	IOD0.6	IOD0.5	IOD0.4	IOD0.3	IOD0.2	IOD0.1	IOD0.0	1111 1111
IODIR1	IOD1.7	IOD1.6	IOD1.5	IOD1.4	IOD1.3	IOD1.2	IOD1.1	IOD1.0	1111 1111
INTCAP0	ICP0.7	ICP0.6	ICP0.5	ICP0.4	ICP0.3	ICP0.2	ICP0.1	ICP0.0	xxxx xxxx
INTCAP1	ICP1.7	ICP1.6	ICP1.5	ICP1.4	ICP1.3	ICP1.2	ICP1.1	ICP1.0	xxxx xxxx
IOCON0	—	—	—	—	—	—	—	IARES	---- ---0
IOCON1	—	—	—	—	—	—	—	IARES	---- ---0

Legend: '1' bit is set, '0' bit is cleared, x = unknown, — = unimplemented.

MCP23016

1.7.1 DATA PORT REGISTERS

Two registers provide access to the two GPIO ports:

- GP0 (provides access to data port GP0)
- GP1 (provides access to data port GP1)

A read from this register provides status on pins of these ports. A write to these registers will modify the output latch registers (OLAT0, OLAT1) and data output.

REGISTER 1-1: GP0 - GENERAL PURPOSE I/O PORT REGISTER 0

R/W-0	R/W-0	R/W-0	R/W-0	R/W-0	R/W-0	R/W-0	R/W-0
GP0.7	GP0.6	GP0.5	GP0.4	GP0.3	GP0.2	GP0.1	GP0.0
bit 7				bit 0			

bit 7-0 **GP0.0:GP0.7:** Reflects the logic level on the pins.
1 = Logic '1'
0 = Logic '0'

Legend:

R = Readable bit	W = Writable bit	U = Unimplemented bit, read as '0'
- n = Value at POR	'1' = Bit is set	'0' = Bit is cleared x = Bit is unknown

REGISTER 1-2: GP1 - GENERAL PURPOSE I/O PORT REGISTER 1

R/W-0	R/W-0	R/W-0	R/W-0	R/W-0	R/W-0	R/W-0	R/W-0
GP1.7	GP1.6	GP1.5	GP1.4	GP1.3	GP1.2	GP1.1	GP1.0
bit 7				bit 0			

bit 7-0 **GP1.0:GP1.7:** Reflects the logic level on the pins.
1 = Logic '1'
0 = Logic '0'

Legend:

R = Readable bit	W = Writable bit	U = Unimplemented bit, read as '0'
- n = Value at POR	'1' = Bit is set	'0' = Bit is cleared x = Bit is unknown

1.7.2 OUTPUT LATCH REGISTERS

Two registers provide access to the two port output latches:

- OLAT0 (provides access to the output latch for port GP0)
- OLAT1 (provides access to the output latch for port GP1)

A read from these registers results in a read of the latch that controls the output and not the actual port. A write to these registers updates the output latch that controls the output.

REGISTER 1-3: OLAT0 - OUTPUT LATCH REGISTER 0

R/W-0	R/W-0	R/W-0	R/W-0	R/W-0	R/W-0	R/W-0	R/W-0
OL0.7	OL0.6	OL0.5	OL0.4	OL0.3	OL0.2	OL0.1	OL0.0
bit 7				bit 0			

bit 7-0 **OL0.0:OL0.7**: Reflects the logic level on the output latch.
 1 = Logic '1'
 0 = Logic '0'

Legend:

R = Readable bit	W = Writable bit	U = Unimplemented bit, read as '0'
- n = Value at POR	'1' = Bit is set	'0' = Bit is cleared x = Bit is unknown

REGISTER 1-4: OLAT1 - OUTPUT LATCH REGISTER 1

R/W-0	R/W-0	R/W-0	R/W-0	R/W-0	R/W-0	R/W-0	R/W-0
OL1.7	OL1.6	OL1.5	OL1.4	OL1.3	OL1.2	OL1.1	OL1.0
bit 7				bit 0			

bit 7-0 **OL1.0:OL1.7**: Reflects the logic level on the output latch.
 1 = Logic '1'
 0 = Logic '0'

Legend:

R = Readable bit	W = Writable bit	U = Unimplemented bit, read as '0'
- n = Value at POR	'1' = Bit is set	'0' = Bit is cleared x = Bit is unknown

MCP23016

1.7.3 INPUT POLARITY REGISTERS

These registers allow the user to configure the polarity of the input port data (GP0 and GP1). If a bit in this register is set, the corresponding input port (GPn) data bit polarity will be inverted.

- IPOL0 (controls the polarity of GP0)
- IPOL1 (controls the polarity of GP1)

REGISTER 1-5: IPOL0 - INPUT POLARITY PORT REGISTER 0

R/W-0	R/W-0	R/W-0	R/W-0	R/W-0	R/W-0	R/W-0	R/W-0
IGP0.7	IGP0.6	IGP0.5	IGP0.4	IGP0.3	IGP0.2	IGP0.1	IGP0.0
bit 7				bit 0			

bit 7-0 **IGP0.0:IGP0.7:** Controls the polarity inversion for the input pins
1 = Corresponding GP0 bit is inverted
0 = Corresponding GP0 bit is not inverted

Legend:

R = Readable bit W = Writable bit U = Unimplemented bit, read as '0'
- n = Value at POR '1' = Bit is set '0' = Bit is cleared x = Bit is unknown

REGISTER 1-6: IPOL1 - INPUT POLARITY PORT REGISTER 1

R/W-0	R/W-0	R/W-0	R/W-0	R/W-0	R/W-0	R/W-0	R/W-0
IGP1.7	IGP1.6	IGP1.6	IGP1.4	IGP1.3	IGP1.2	IGP1.1	IGP1.0
bit 7				bit 0			

bit 7-0 **IGP1.0:IGP1.7:** Controls the polarity inversion for the input pins
1 = Corresponding GP1 bit is inverted
0 = Corresponding GP1 bit is not inverted

Legend:

R = Readable bit W = Writable bit U = Unimplemented bit, read as '0'
- n = Value at POR '1' = Bit is set '0' = Bit is cleared x = Bit is unknown

1.7.4 I/O DIRECTION REGISTERS

Two registers control the direction of data I/O:

- IODIR0 (controls GP0)
- IODIR1 (controls GP1)

When a bit in these registers is set, the corresponding pin becomes an input. Otherwise, it becomes an output. At Power-on Reset, the device ports are configured as inputs.

REGISTER 1-7: IODIR0 - I/O DIRECTION REGISTER 0

R/W-1	R/W-1	R/W-1	R/W-1	R/W-1	R/W-1	R/W-1	R/W-1
IOD0.7	IOD0.6	IOD0.5	IOD0.4	IOD0.3	IOD0.2	IOD0.1	IOD0.0
bit 7				bit 0			

bit 7-0 **IOD0.0:IOD0.7:** Controls the direction of data I/O
 1 = Input
 0 = Output

Legend:

R = Readable bit	W = Writable bit	U = Unimplemented bit, read as '0'
- n = Value at POR	'1' = Bit is set	'0' = Bit is cleared x = Bit is unknown

REGISTER 1-8: IODIR1 - I/O DIRECTION REGISTER 1

R/W-1	R/W-1	R/W-1	R/W-1	R/W-1	R/W-1	R/W-1	R/W-1
IOD1.7	IOD1.6	IOD1.5	IOD1.4	IOD1.3	IOD1.2	IOD1.1	IOD1.0
bit 7				bit 0			

bit 7-0 **IOD1.0:IOD1.7:** Controls the direction of data I/O
 1 = Input
 0 = Output

Legend:

R = Readable bit	W = Writable bit	U = Unimplemented bit, read as '0'
- n = Value at POR	'1' = Bit is set	'0' = Bit is cleared x = Bit is unknown

MCP23016

1.7.5 INTERRUPT CAPTURE REGISTERS

Two registers contain the value of the port that generated the interrupt:

- INTCAP0 contains the value of GP0 at time of GP0 change interrupt
- INTCAP1 contains the value of GP1 at time of GP1 change interrupt

These registers are 'read-only' registers (A write to these registers is ignored).

REGISTER 1-9: INTCAP0 - INTERRUPT CAPTURED VALUE FOR PORT REGISTER 0

R-x	R-x	R-x	R-x	R-x	R-x	R-x	R-x
ICP0.7	ICP0.6	ICP0.5	ICP0.4	ICP0.3	ICP0.2	ICP0.1	ICP0.0
bit 7							bit 0

bit 7-0 **ICP0.0:ICP0.7:** Reflects the logic level on the GP0 pins at the time of interrupt due to pin change
1 = Logic '1'
0 = Logic '0'

Legend:

R = Readable bit W = Writable bit U = Unimplemented bit, read as '0'
- n = Value at POR '1' = Bit is set '0' = Bit is cleared x = Bit is unknown

REGISTER 1-10: INTCAP1 - INTERRUPT CAPTURED VALUE FOR PORT REGISTER 1

R-x	R-x	R-x	R-x	R-x	R-x	R-x	R-x
ICP1.7	ICP1.6	ICP1.5	ICP1.4	ICP1.3	ICP1.2	ICP1.1	ICP1.0
bit 7							bit 0

bit 7-0 **ICP1.0:ICP1.7:** Reflects the logic level on the GP1 pins at the time of interrupt due to pin change
1 = Logic '1'
0 = Logic '0'

Legend:

R = Readable bit W = Writable bit U = Unimplemented bit, read as '0'
- n = Value at POR '1' = Bit is set '0' = Bit is cleared x = Bit is unknown

1.7.6 I/O EXPANDER CONTROL REGISTER

- IOCON0 controls the functionality of the MCP23016.

The IARES (Interrupt Activity Resolution) bit controls the sampling frequency of the GP port pins. The higher the sampling frequency, the higher the device current requirements. If this bit is '0' (default), the maximum time to detect the activity on the port is 32 ms (max.), which results in lower standby current. If this bit is '1', the maximum time to detect activity on the port is 200 μ sec. (max.) and results in higher standby current.

REGISTER 1-11: IOCON0 - I/O EXPANDER CONTROL REGISTER

U-0	U-0	U-0	U-0	U-0	U-0	U-0	R/W-0
—	—	—	—	—	—	—	IARES
bit 7							bit 0

bit 1-7 **Unimplemented bit:** Read as '0'

bit 0 **IARES:** Interrupt Activity Resolution
 1 = Fast sample rate
 0 = Normal sample rate

Legend:

R = Readable bit	W = Writable bit	U = Unimplemented bit, read as '0'
- n = Value at POR	'1' = Bit is set	'0' = Bit is cleared x = Bit is unknown

IOCON1 is a shadow register for IOCON0. Access to IOCON1 results in access to IOCON0.

MCP23016

1.8 Serializer/Deserializer

The Serializer/Deserializer block converts and transfers data between the I²C bus and GPIO.

1.9 Interrupt Logic

The MCP23016 asserts the open-drain interrupt output ($\overline{\text{INT}}$) low when one of the port pins changes state. Only those pins that are configured as an input can cause an interrupt. Pins defined as an output have no effect on $\overline{\text{INT}}$. The interrupt will remain active until a read from either the port (GPn) on which the interrupt occurred or the INTCAPn register is performed. If the input returns to its previous state before a read operation, it will reset the interrupt and the $\overline{\text{INT}}$ pin output will tri-state. Each 8-bit port is read separately, so reading GP0 or INTCAP0 will not clear the interrupt generated by GP1 or INTCAP1 , and vice versa.

Input change activity on each port will generate an interrupt and the value of the particular port will be captured and copied into $\text{INTCAP0}/\text{INTCAP1}$. The INTCAPn registers are only updated when an interrupt occurs on $\overline{\text{INT}}$. These values will stay unchanged until the user clears the interrupt by reading the port or the INTCAPn register.

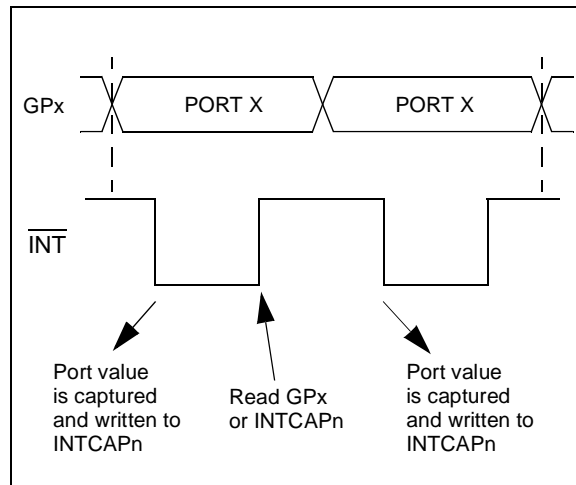
If the input port value changes back to normal before a user-read, the $\overline{\text{INT}}$ output will be reset. However, the $\text{INTCAP0}/\text{INTCAP1}$ will still contain the value of the port at the interrupt change. If the port value changes again, it will re-activate the interrupt and the new value will be captured.

The first interrupt on change event following an interrupt RESET will result in a capture event. Any further change event that occurs before the interrupt is reset will not result in a capture event.

1.9.1 INTERRUPT EVENT DETECTION

The IARES bit controls the resolution for detecting an interrupt-on-change event. If this bit is '0' (default), the maximum time for detecting a change of event is high, which results in lower standby current. If this bit is '1', it takes less time for scanning the activity on the port and results in higher standby current.

FIGURE 1-2: READING PORTX AFTER INTERRUPT EVENT



1.9.2 WRITING THE REGISTERS

To write to a MCP23016 register, the Master I²C device needs to follow the requirements, as illustrated in Figure 1-3. First, the device is selected by sending the slave address and setting the R/W bit to logic '0'. The command byte is sent after the address and determines which register will be written. Table 1-3 shows the relationship of the command byte and register.

The MCP23016 has twelve 8-bit registers. They are configured to operate as six 16-bit register pairs, supporting the device's 16-bit port. These pairs are formed based on their functions (e.g., GP0 and GP1 are grouped together). The I²C commands apply to one register pair to provide faster access. The first data byte following a command byte is written into the register pointed to by the command byte, while the second data is written into another register in the same pair. For example, if the first byte is sent to OLAT1 (command byte 03h), the next data byte will be written into the second register of that pair, OLAT0. If the first byte is written to OLAT0 (command byte 02h), the second byte will be written to OLAT1.

There is no limitation on the number of data bytes in one write transmission. Figure 1-4 shows the case of multiple byte writes in one write operation. In this case, the multiple writes are made to the same data pair.

Note: The bus must remain free until after the ninth clock pulse for a minimum of 12 μ s (see Table 2-5 and Figure 2-4).

FIGURE 1-3: WRITE TO CONFIGURATION REGISTERS (CASE 1)

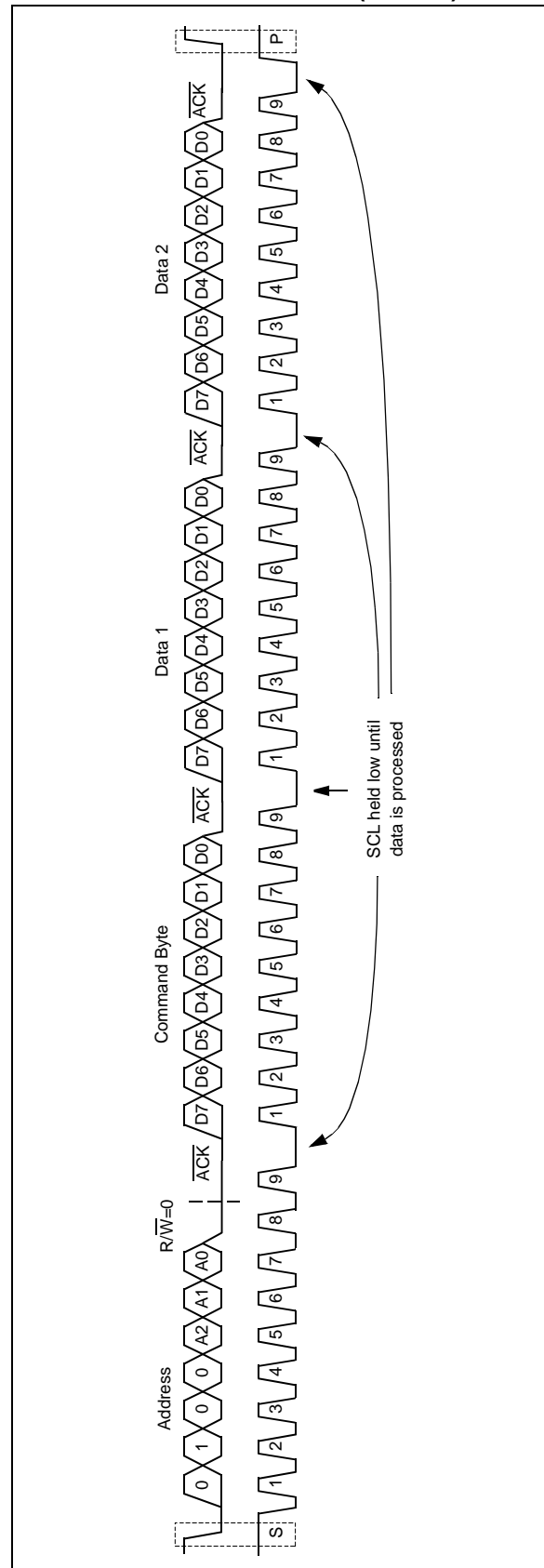


FIGURE 1-4: WRITE TO CONFIGURATION REGISTERS (CASE 2)

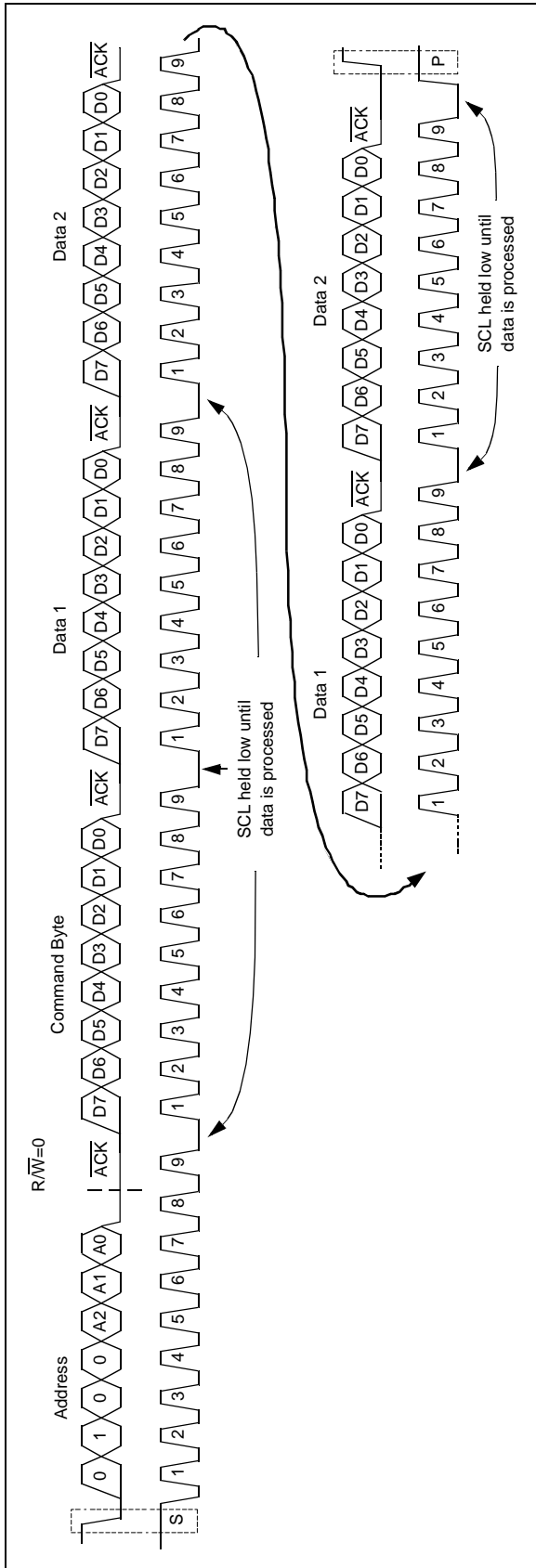
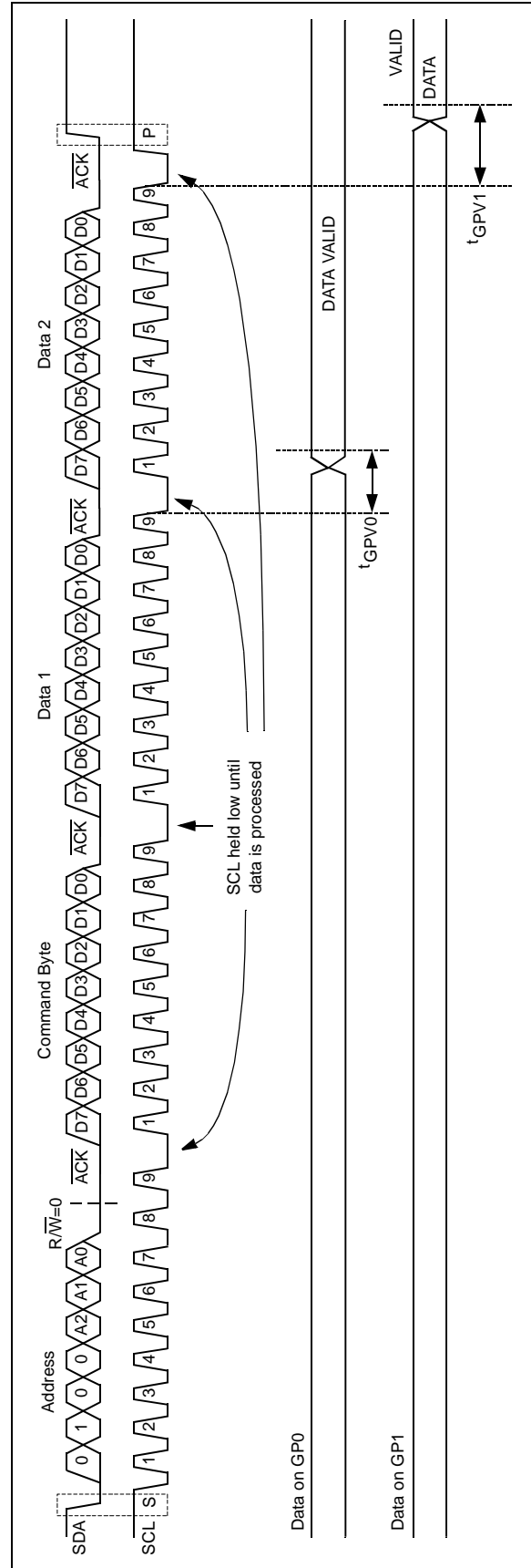


FIGURE 1-5: WRITE TO OUTPUT PORTS



1.9.3 READING THE REGISTERS

To read a MCP23016 register, the Master needs to follow the requirements shown in Figure 1-6. First, the device is selected by sending the slave address and setting the R/W bit to logic '0'. The command byte is sent after the address and determines which register will be read. A restart condition is generated and the device address is sent again with the R/W bit set to logic '1'. The data register defined by the command byte will be sent first, followed by the other register in the register pair. The logic for register selection is the same as explained in Write mode (**Section 1.9.2, "Writing the Registers"**).

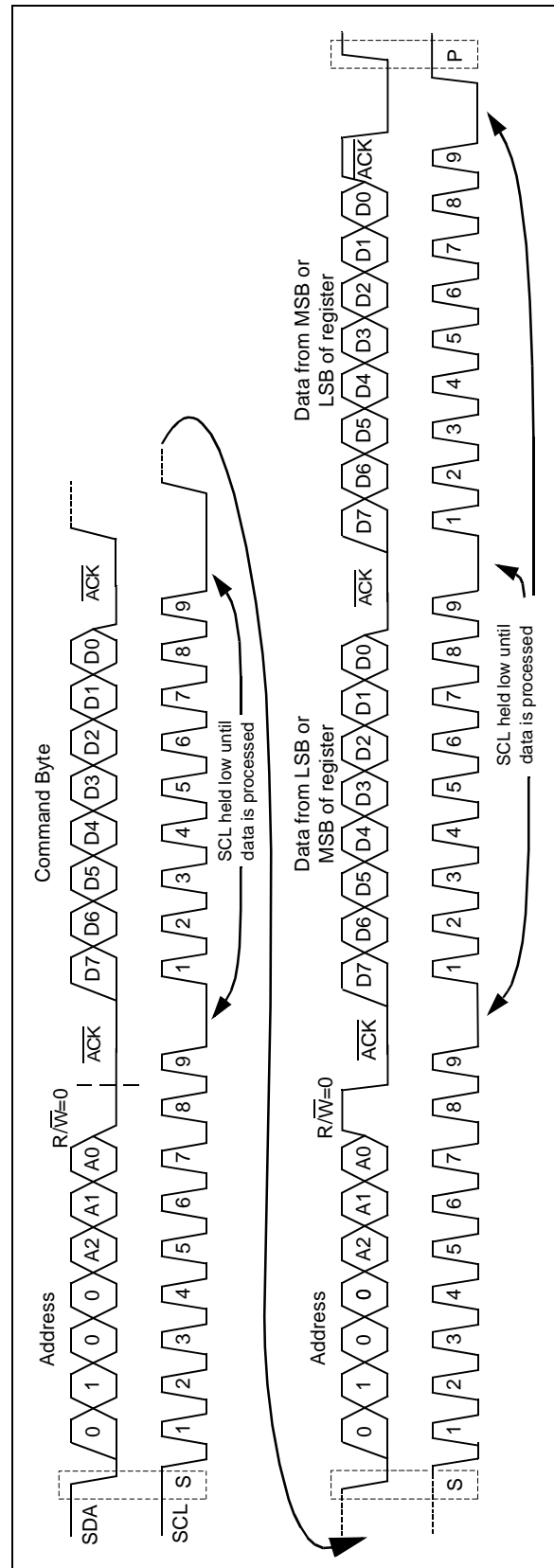
The falling edge of the ninth clock initiates the register read action. The SCL clock will be held low while the data is read from the register and is transferred to the I²C bus control block by the Serializer/Deserializer block.

The MCP23016 holds the clock low after the falling edge of the ninth clock pulse. The configuration registers (or port control registers) are read and the value is stored. Finally, the clock is released to enable the next transmission.

There is no limitation on the number of data bytes in one read transmission. Figure 1-8 shows the case of multiple byte read in one read operation. In this case, the multiple writes are made to the same data pair.

Note: The bus must remain free until after the ninth clock pulse for a minimum of 12 μ s (see Table 2-5 and Figure 2-4).

FIGURE 1-6: READ FROM CONFIGURATION REGISTER



MCP23016

FIGURE 1-7: READ FROM INPUT PORTS (CASE 1)

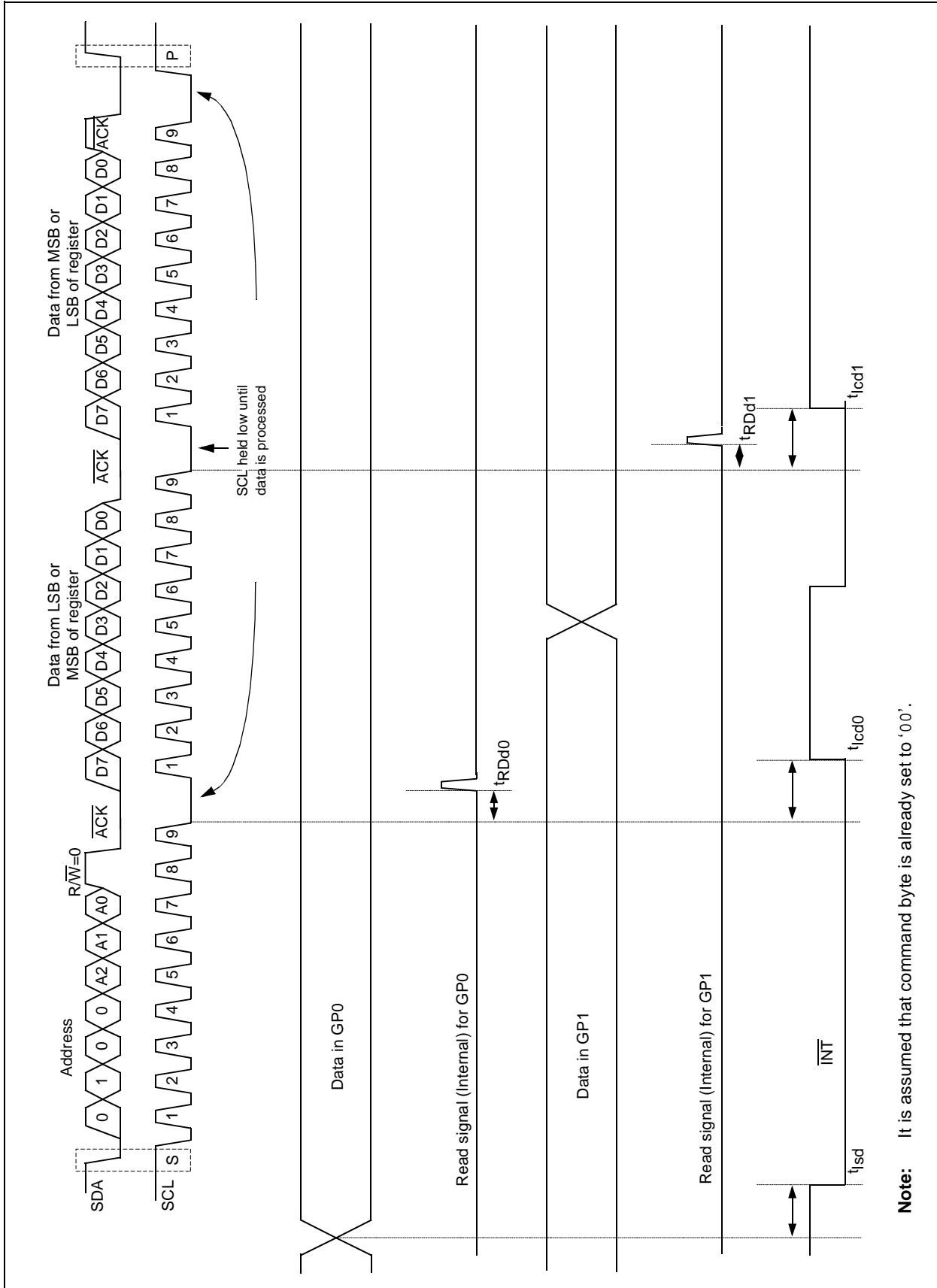
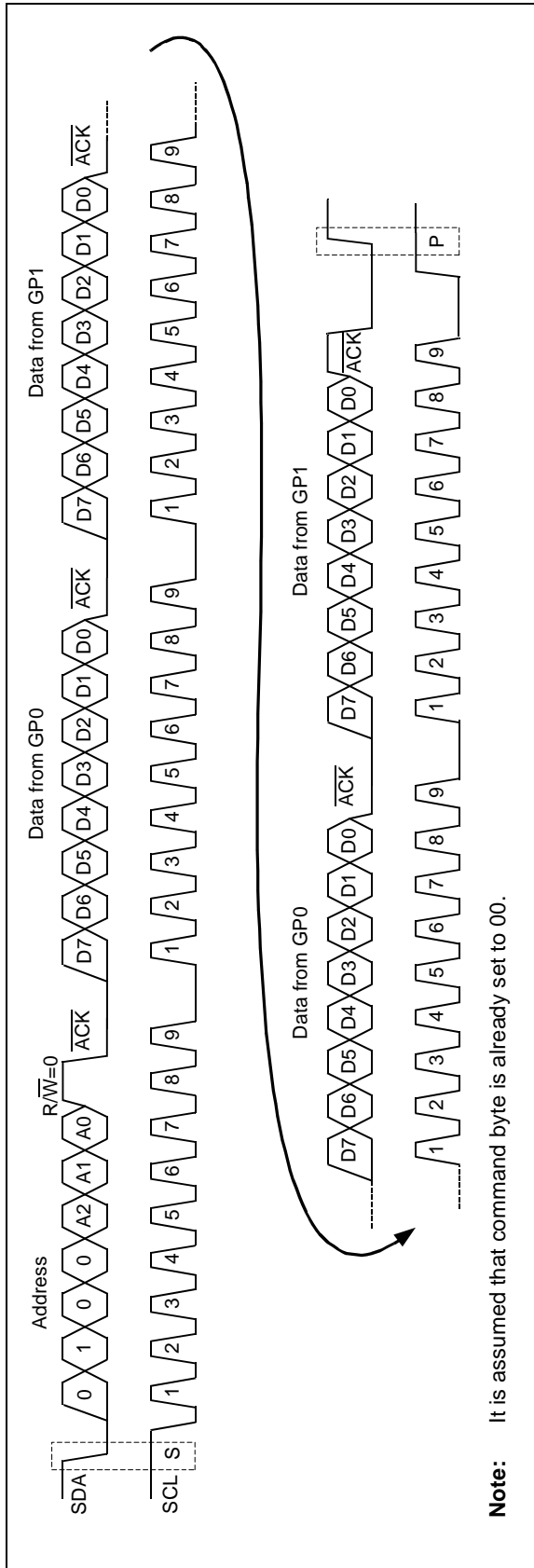


FIGURE 1-8: READ FROM INPUT PORTS (CASE 2)



MCP23016

NOTES:

2.0 ELECTRICAL CHARACTERISTICS

Absolute Maximum Ratings †

Ambient temperature under bias	-55 to +125°C
Storage temperature	-65°C to +150°C
Voltage on any pin with respect to VSS	-0.3V to (VDD + 0.3V)
Voltage on VDD with respect to VSS	-0.3V to +6.5V
Total power dissipation (Note 1)	1.0 W
Maximum current out of VSS pin	300 mA
Maximum current into VDD pin	250 mA
Input clamp current, I _{IK} (V _I < 0, or V _I > VDD)	± 20 mA
Output clamp current, I _{OK} (V _O < 0, or V _O > VDD)	± 20 mA
Maximum output current sunk by any I/O pin.....	25 mA
Maximum output current sourced by any I/O pin	25 mA
Maximum current sunk by combined PORTS	200 mA
Maximum current sourced by combined PORTS	200 mA

Note 1: Power dissipation is calculated as follows:

$$P_{dis} = V_{DD} \times \{I_{DD} - \sum I_{OH}\} + \sum \{(V_{DD}-V_{OH}) \times I_{OH}\} + \sum (V_{OI} \times I_{OL})$$

† **NOTICE:** Stresses above those listed under “Absolute Maximum Ratings” may cause permanent damage to the device. This is a stress rating only and functional operation of the device at those or any other conditions above those indicated in the operation listings of this specification is not implied. Exposure to maximum rating conditions for extended periods may affect device reliability.

MCP23016

2.1 DC Characteristics

TABLE 2-1: DC CHARACTERISTICS

DC CHARACTERISTICS			Standard Operating Conditions (unless otherwise stated) Operating temperature: $-40^{\circ}\text{C} \leq T_A \leq +85^{\circ}\text{C}$ for industrial				
Param No.	Characteristic	Sym	Min	Typ†	Max	Units	Conditions
D001	Supply Voltage	VDD	2.0	—	5.5	V	
D002	Standby Current	IDD	—	0.4		mA	IARES = 1
D003	Standby Current	IPD	—	25		μA	IARES = 0
Input Low Voltage							
D004	I/O ports TTL buffer	VIL	Vss	—	0.15 VDD	V	For entire VDD range $4.5\text{V} \leq V_{\text{DD}} \leq 5.5\text{V}$
D004A			Vss	—	0.8V		
D005	Schmitt Trigger buffer		Vss	—	0.2 VDD	V	
Input High Voltage							
D006	I/O ports TTL buffer	VIH	2.0	—	VDD	V	$4.5\text{V} \leq V_{\text{DD}} \leq 5.5\text{V}$
D006A			$0.25 V_{\text{DD}} + 0.8\text{V}$	—	VDD	V	For entire VDD range
D007	Schmitt Trigger buffer		$0.8 V_{\text{DD}}$	—	VDD	V	For entire VDD range
Input Leakage Current							
D008	I/O ports	IIL	—	—	± 1.0	μA	$V_{\text{SS}} \leq V_{\text{PIN}} \leq V_{\text{DD}}$, Pin at hi-impedance
D009	CLK		—	—	± 5.0	μA	$V_{\text{SS}} \leq V_{\text{PIN}} \leq V_{\text{DD}}$
Output Low Voltage							
D010	I/O Ports	VOL	—	—	0.6	V	IOL = 8.5 mA, VDD = 4.5V
Output High Voltage							
D010	I/O Ports	VOH	VDD-0.7	—	—	V	IOH = 3.0 mA, VDD = 4.5V
D011	VDD start voltage to ensure internal POR signal	VPOR	—	Vss	—	V	
D012	VDD rise rate to ensure internal POR signal	SVDD	0.05	-	—	V/ms	Note 1
	DC Trip Point	VTPOR	1.5	1.7	1.9	V	DC Slow Ramp
D012	VDD rise rate to ensure internal POR signal with PWRT enabled	SVDD	0.05	—	—	V/ms	Note 1
	DC Current Draw	IPOR	—	5.0	—	μA	At 5.0V (1 μA /Volt typical)

Note 1: These parameters are characterized but not tested.

2: Data in "Typ" column is at 5V, 25°C unless otherwise stated. These parameters are for design guidance only and are not tested.

3: Standby current is measured with all I/O in hi-impedance state and tied to VDD and VSS.

4: For RC CLK, current through REXT is not included. The current through the resistor can be estimated by the formula

$$I_r = V_{\text{DD}}/2 R_{\text{EXT}} \text{ (mA) with } R_{\text{EXT}} \text{ in kohm.}$$

5: Negative current is defined as coming out of the pin.

FIGURE 2-1: RESPONSE TIME

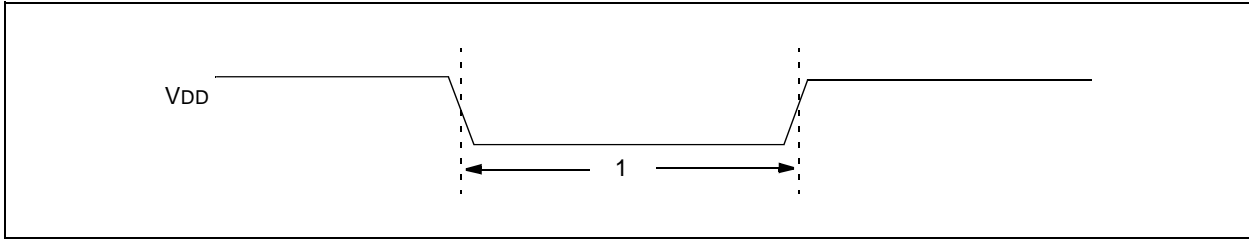


TABLE 2-2: RESPONSE TIME

Parameter No.	Symbol	Characteristic	Min	Typ†	Max	Units	Conditions
1		Response Time	100	—	—	ns	Minimum time where a VDD transition from 5.0V to 0.0V to 5.0V will cause a RESET. All times less than 100 ns will be filtered.

FIGURE 2-2: TEST POINT CLOCK TIMING

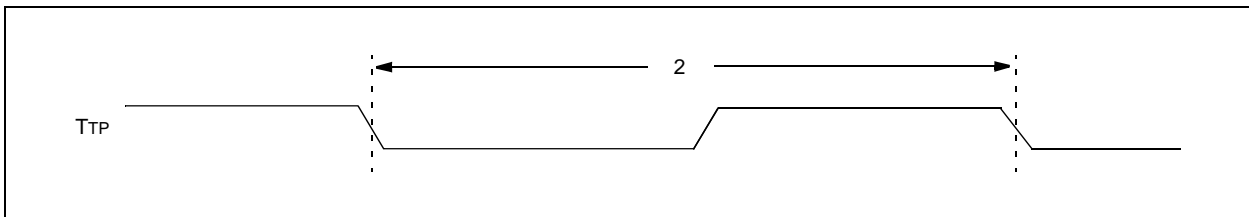


TABLE 2-3: TEST POINT CLOCK TIMING

Parameter No.	Symbol	Characteristic	Min	Typ†	Max	Units	Conditions
	FTP	TP pin Frequency	—	1.0	—	MHz	Measured at TP pin, IARES = '1'.
2	TTP	TP pin CLK Period	—	1.0	—	μs	Measured at TP pin, IARES = '1'.

† Data in "Typ" column is at 5V, +25°C unless otherwise stated. These parameters are for design guidance only and are not tested.

TABLE 2-4: POWER-UP TIMER REQUIREMENTS

Parameter No.	Symbol	Characteristic	Min	Typ†	Max	Units	Conditions
3	TPWRT	Power-up Timer Period	—	72	—	ms	

† Data in "Typ" column is at 5V, +25°C unless otherwise stated. These parameters are for design guidance only and are not tested.

MCP23016

FIGURE 2-3: I²C BUS START/STOP BITS TIMING

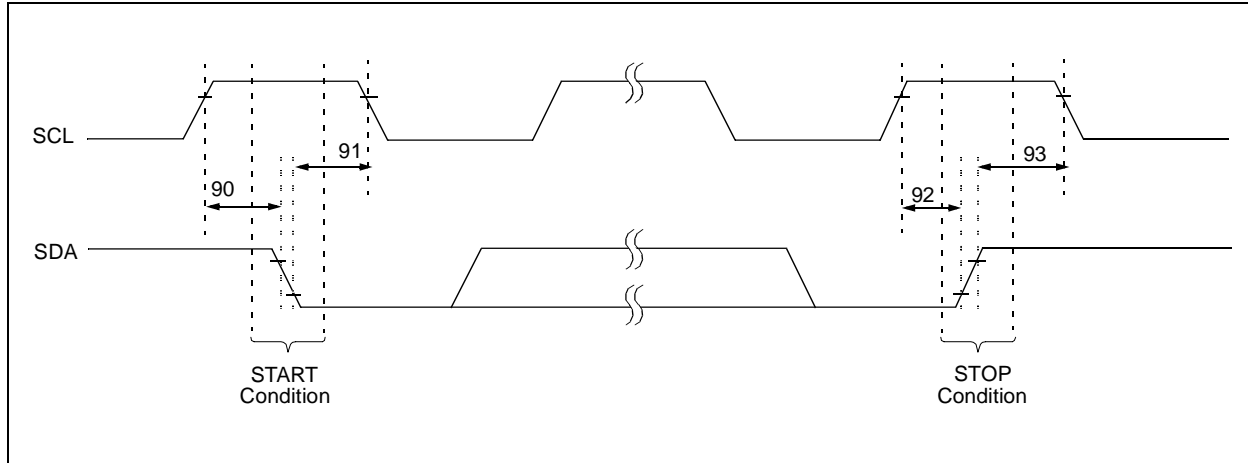
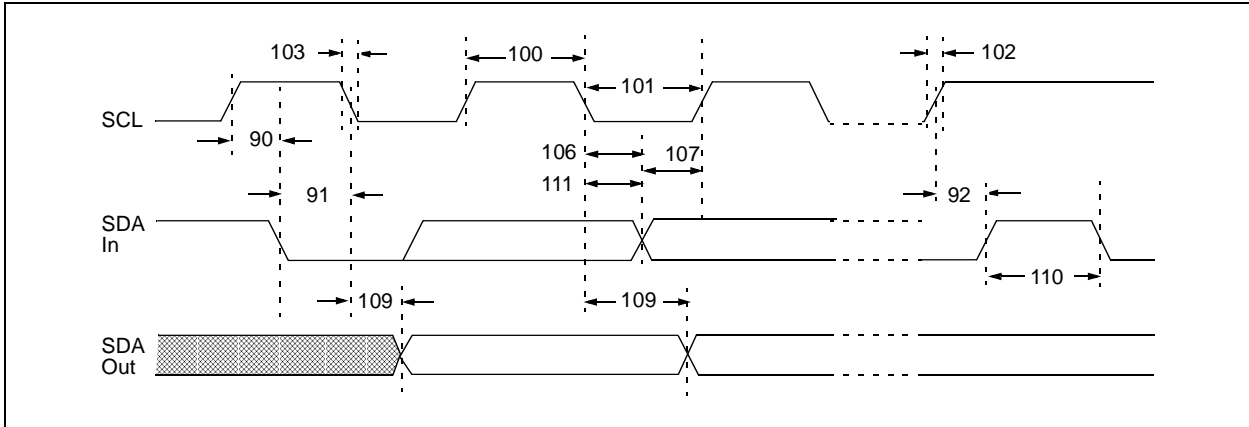


TABLE 2-5: I²C BUS START/STOP BITS REQUIREMENTS

Param No.	Symbol	Characteristic	Min	Typ	Max	Units	Conditions	
90	Tsu:STA	START condition	100 kHz mode	4700	—	—	ns	Only relevant for Repeated START condition (Note 1)
		Setup time	400 kHz mode	600	—	—		
91	THd:STA	START condition	100 kHz mode	4000	—	—	ns	After this period, the first clock pulse is generated (Note 1)
		Hold time	400 kHz mode	600	—	—		
92	Tsu:STO	STOP condition	100 kHz mode	4700	—	—	ns	
		Setup time	400 kHz mode	600	—	—		
93	THd:STO	STOP condition	100 kHz mode	4000	—	—	ns	
		Hold time	400 kHz mode	600	—	—		

Note 1: These parameters are characterized but not tested.

FIGURE 2-4: I²C BUS DATA TIMING



MCP23016

TABLE 2-5: I²C BUS DATA REQUIREMENTS

Param No.	Symbol	Characteristic	Min	Max	Units	Conditions	
100	THIGH	Clock High Time	100 kHz mode	4.0	—	μs	(Note 1)
			400 kHz mode	0.6	—	μs	
101	TLOW	Clock Low Time	100 kHz mode	4.7	—	μs	(Note 1)
			400 kHz mode	1.3	—	μs	
102	TR	SDA and SCL Rise Time	100 kHz mode	—	1000	ns	(Note 1)
			400 kHz mode	20 + 0.1 CB	300	ns	
103	TF	SDA and SCL Fall Time	100 kHz mode	—	300	ns	(Note 1)
			400 kHz mode	20 + 0.1 CB	300	ns	
90	TSU:STA	START Condition Setup Time	100 kHz mode	4.7	—	μs	Only relevant for repeated START condition (Note 1)
			400 kHz mode	0.6	—	μs	
91	THD:STA	START Condition Hold Time	100 kHz mode	4.0	—	μs	After this period, the first clock pulse is generated (Note 1)
			400 kHz mode	0.6	—	μs	
106	THD:DAT	Data Input Hold Time	100 kHz mode	0	—	ns	(Note 1)
			400 kHz mode	0	0.9	μs	
107	TSU:DAT	Data Input Setup Time	100 kHz mode	250	—	ns	(Note 1) (Note 3)
			400 kHz mode	100	—	ns	
92	TSU:STO	STOP Condition Setup Time	100 kHz mode	4.7	—	μs	(Note 1)
			400 kHz mode	0.6	—	μs	
109	TAA	Output Valid from Clock	100 kHz mode	—	3500	ns	(Note 1) (Note 2)
			400 kHz mode	—	—	ns	
110	TBUF	Bus Free Time	100 kHz mode	4.7	—	μs	Time the bus must be free before a new transmission can start (Note 1)
			400 kHz mode	1.3	—	μs	
	CB	Bus Capacitive Loading	—	400	pF		
111	TWAIT	Clock wait time after ninth pulse	100 kHz mode	12 μs	—	μs	Time the bus must remain free after the ninth clock pulse before a new transmission can start.
			400 kHz mode	12 μs	—	μs	

Note 1: These parameters are characterized but not tested.

- 2:** As a transmitter, the device must provide this internal minimum delay time to bridge the undefined region (min. 300 ns) of the falling edge of SCL to avoid unintended generation of START or STOP conditions.
- 3:** A Fast mode (400 kHz) I²C bus device can be used in a Standard mode (100 kHz) I²C bus system, but the requirement TSU:DAT ≥ 250 ns must then be met. This will automatically be the case if the device does not stretch the LOW period of the SCL signal. If such a device does stretch the LOW period of the SCL signal, it must output the next data bit to the SDA line TR max.+TSU:DAT = 1000 + 250 = 1250 ns (according to the Standard mode I²C bus specification), before the SCL line is released.

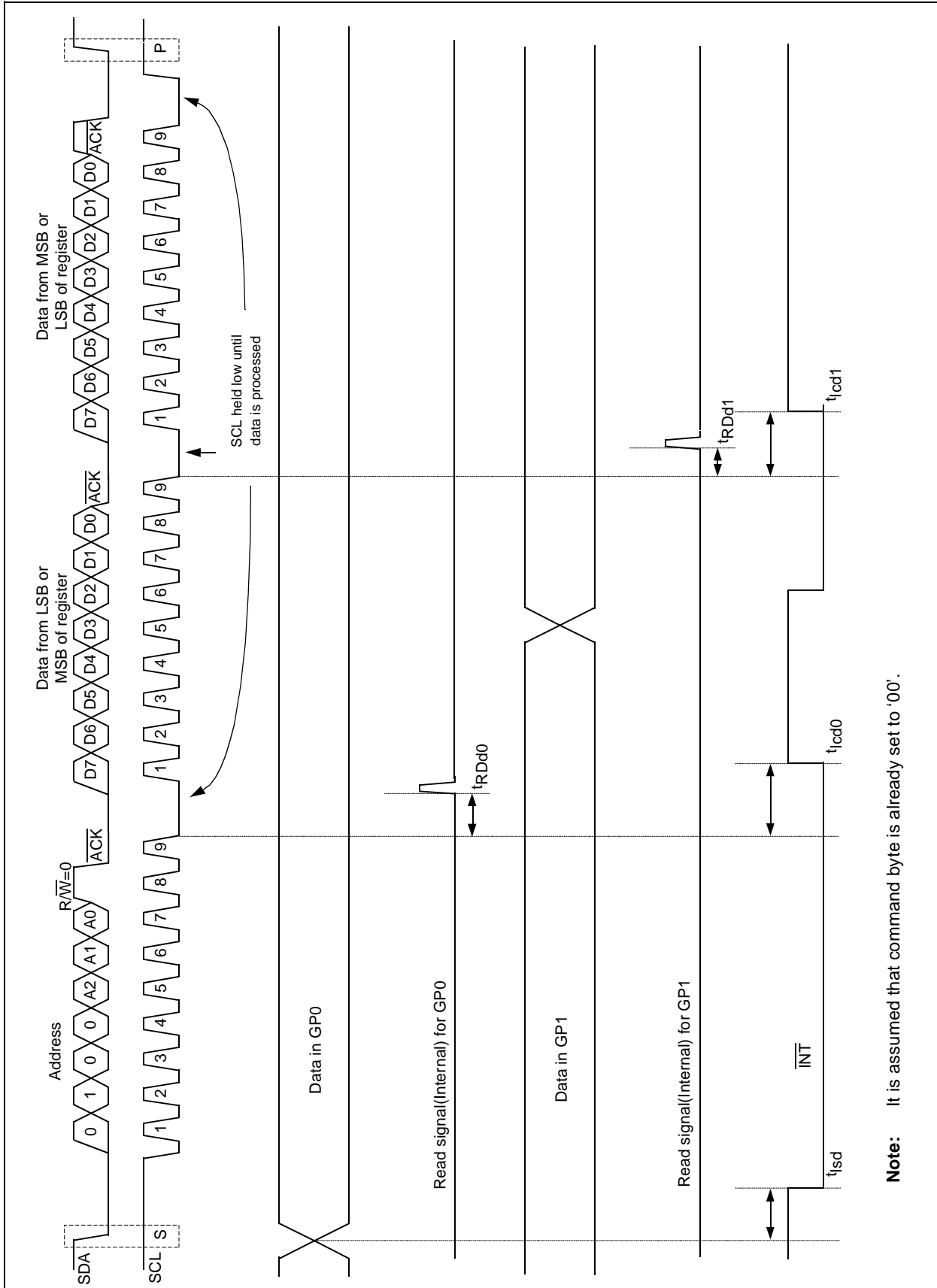
TABLE 2-7: GP0 AND GP1 TIMING REQUIREMENTS

Param No.	Symbol	Characteristic	Min	Typ.	Max	Units	Conditions
	t _{GPV0}	GP0 output data valid time	—	40	—	μs	TP = 1 MHz
	t _{GPV1}	GP1 output data valid time	—	50	—	μs	
	t _{RDd0}	GP0 data read delay time	—	40	—	μs	
	t _{RDd1}	GP1 data read delay time	—	50	—	μs	
	t _{ISD0}	GP0 Interrupt set delay time	—	—	200	μs	IARES = 1, TP = 1 MHz
			—	—	32	ms	IARES = 0, TP = 1 MHz
	t _{ISD1}	GP1 Interrupt set delay time	—	—	200	μs	IARES = 1, TP = 1 MHz
			—	—	32	ms	IARES = 0, TP = 1 MHz
	t _{LCD0}	GP0 Interrupt clear delay time (for read)	—	100	—	μs	TP = 1 MHz
	t _{LCD1}	GP1 Interrupt clear delay time (for read)	—	100	—	μs	

Note 1: These parameters are characterized but not tested.

MCP23016

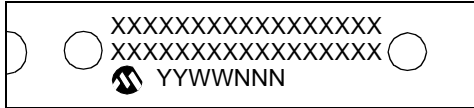
FIGURE 2-5: GP0 AND GP1 PORT TIMINGS



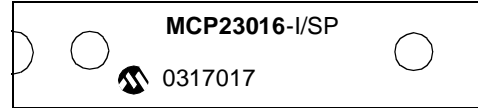
3.0 PACKAGE INFORMATION

3.1 Package Marking Information

28-Lead PDIP (Skinny DIP)



Example:



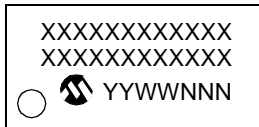
28-Lead SOIC



Example:



28-Lead SSOP



Example:



28-Lead QFN



Example:

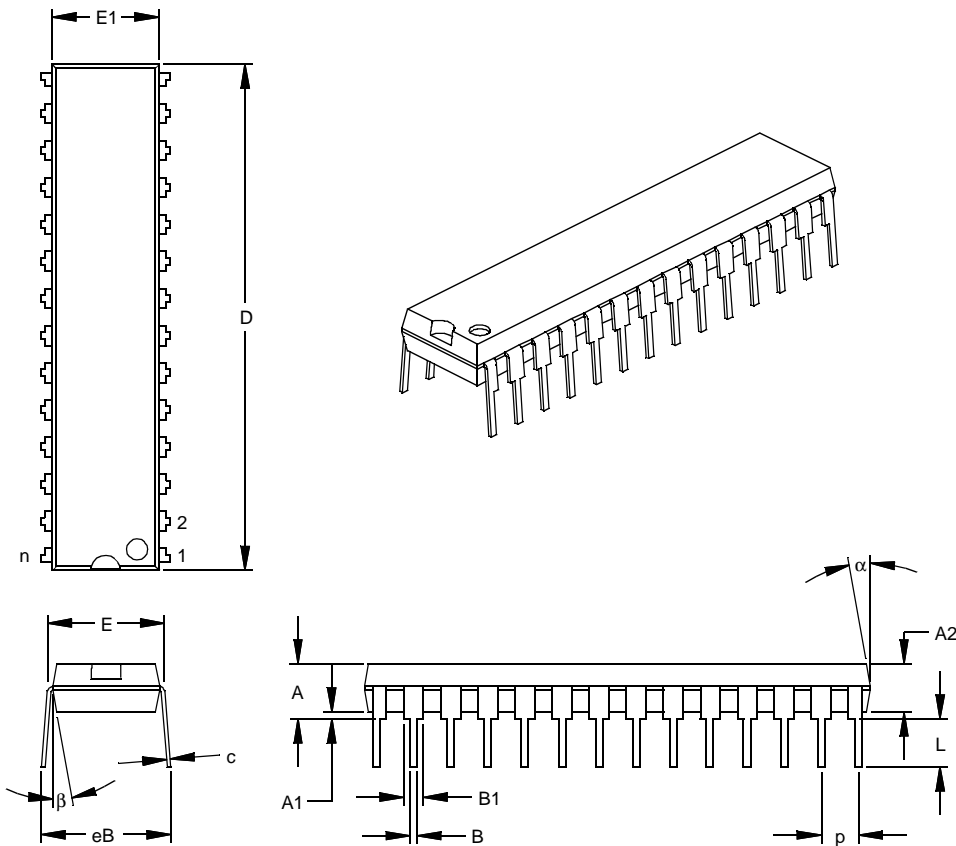


Legend:	XX...X	Customer specific information*
	Y	Year code (last digit of calendar year)
	YY	Year code (last 2 digits of calendar year)
	WW	Week code (week of January 1 is week '01')
	NNN	Alphanumeric traceability code
Note:	In the event the full Microchip part number cannot be marked on one line, it will be carried over to the next line thus limiting the number of available characters for customer specific information.	

* Standard marking consists of Microchip part number, year code, week code, and traceability code. Please check with your Microchip Sales Office.

MCP23016

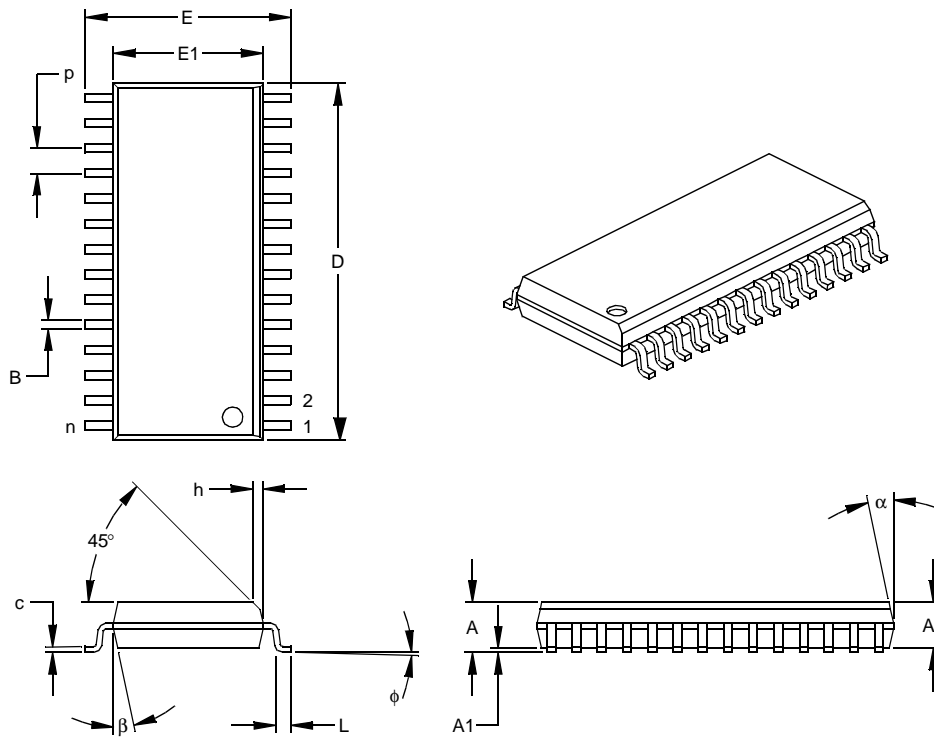
28-Lead Skinny Plastic Dual In-line (SP) – 300 mil (PDIP)



Dimension Limits	Units	INCHES*			MILLIMETERS		
		MIN	NOM	MAX	MIN	NOM	MAX
Number of Pins	n		28			28	
Pitch	p		.100			2.54	
Top to Seating Plane	A	.140	.150	.160	3.56	3.81	4.06
Molded Package Thickness	A2	.125	.130	.135	3.18	3.30	3.43
Base to Seating Plane	A1	.015			0.38		
Shoulder to Shoulder Width	E	.300	.310	.325	7.62	7.87	8.26
Molded Package Width	E1	.275	.285	.295	6.99	7.24	7.49
Overall Length	D	1.345	1.365	1.385	34.16	34.67	35.18
Tip to Seating Plane	L	.125	.130	.135	3.18	3.30	3.43
Lead Thickness	c	.008	.012	.015	0.20	0.29	0.38
Upper Lead Width	B1	.040	.053	.065	1.02	1.33	1.65
Lower Lead Width	B	.016	.019	.022	0.41	0.48	0.56
Overall Row Spacing	§ eB	.320	.350	.430	8.13	8.89	10.92
Mold Draft Angle Top	α	5	10	15	5	10	15
Mold Draft Angle Bottom	β	5	10	15	5	10	15

* Controlling Parameter
 § Significant Characteristic
 Notes:
 Dimension D and E1 do not include mold flash or protrusions. Mold flash or protrusions shall not exceed .010" (0.254mm) per side.
 JEDEC Equivalent: MO-095
 Drawing No. C04-070

28-Lead Plastic Small Outline (SO) – Wide, 300 mil (SOIC)



Dimension Limits	Units	INCHES*			MILLIMETERS		
		MIN	NOM	MAX	MIN	NOM	MAX
Number of Pins	n		28			28	
Pitch	p		.050			1.27	
Overall Height	A	.093	.099	.104	2.36	2.50	2.64
Molded Package Thickness	A2	.088	.091	.094	2.24	2.31	2.39
Standoff §	A1	.004	.008	.012	0.10	0.20	0.30
Overall Width	E	.394	.407	.420	10.01	10.34	10.67
Molded Package Width	E1	.288	.295	.299	7.32	7.49	7.59
Overall Length	D	.695	.704	.712	17.65	17.87	18.08
Chamfer Distance	h	.010	.020	.029	0.25	0.50	0.74
Foot Length	L	.016	.033	.050	0.41	0.84	1.27
Foot Angle Top	φ	0	4	8	0	4	8
Lead Thickness	c	.009	.011	.013	0.23	0.28	0.33
Lead Width	B	.014	.017	.020	0.36	0.42	0.51
Mold Draft Angle Top	α	0	12	15	0	12	15
Mold Draft Angle Bottom	β	0	12	15	0	12	15

* Controlling Parameter
 § Significant Characteristic

Notes:

Dimensions D and E1 do not include mold flash or protrusions. Mold flash or protrusions shall not exceed

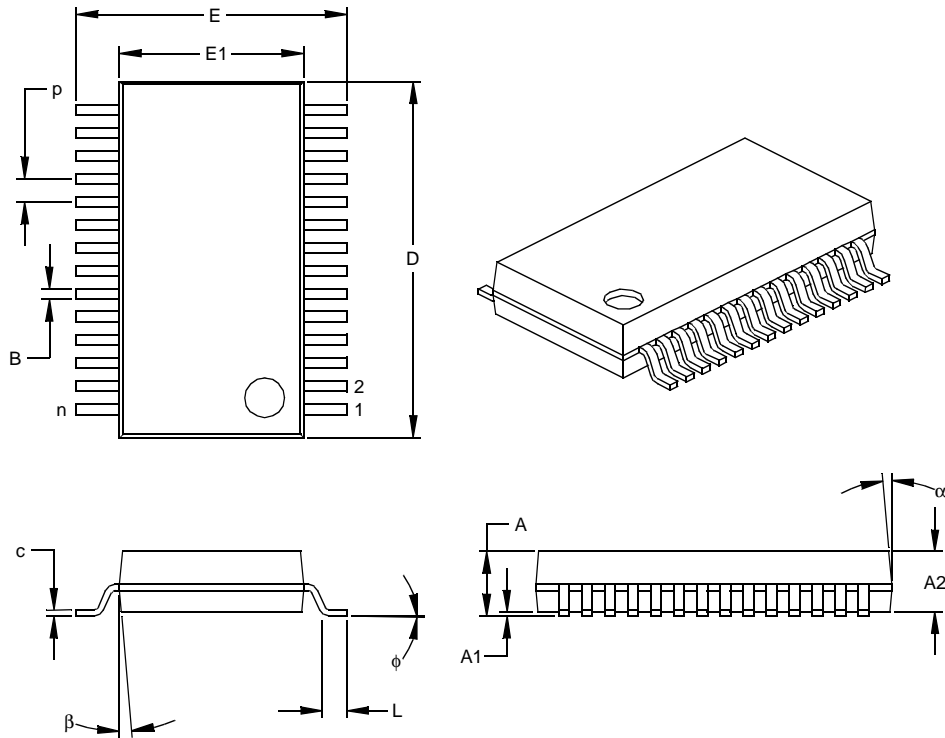
.010" (0.254mm) per side.

JEDEC Equivalent: MS-013

Drawing No. C04-052

MCP23016

28-Lead Plastic Shrink Small Outline (SS) – 209 mil, 5.30 mm (SSOP)



Dimension Limits	Units	INCHES			MILLIMETERS*		
	n	MIN	NOM	MAX	MIN	NOM	MAX
Number of Pins	n		.28			.28	
Pitch	p		.026			0.65	
Overall Height	A	.068	.073	.078	1.73	1.85	1.98
Molded Package Thickness	A2	.064	.068	.072	1.63	1.73	1.83
Standoff §	A1	.002	.006	.010	0.05	0.15	0.25
Overall Width	E	.299	.309	.319	7.59	7.85	8.10
Molded Package Width	E1	.201	.207	.212	5.11	5.25	5.38
Overall Length	D	.396	.402	.407	10.06	10.20	10.34
Foot Length	L	.022	.030	.037	0.56	0.75	0.94
Lead Thickness	c	.004	.007	.010	0.10	0.18	0.25
Foot Angle	φ	0	4	8	0.00	101.60	203.20
Lead Width	B	.010	.013	.015	0.25	0.32	0.38
Mold Draft Angle Top	α	0	5	10	0	5	10
Mold Draft Angle Bottom	β	0	5	10	0	5	10

* Controlling Parameter

§ Significant Characteristic

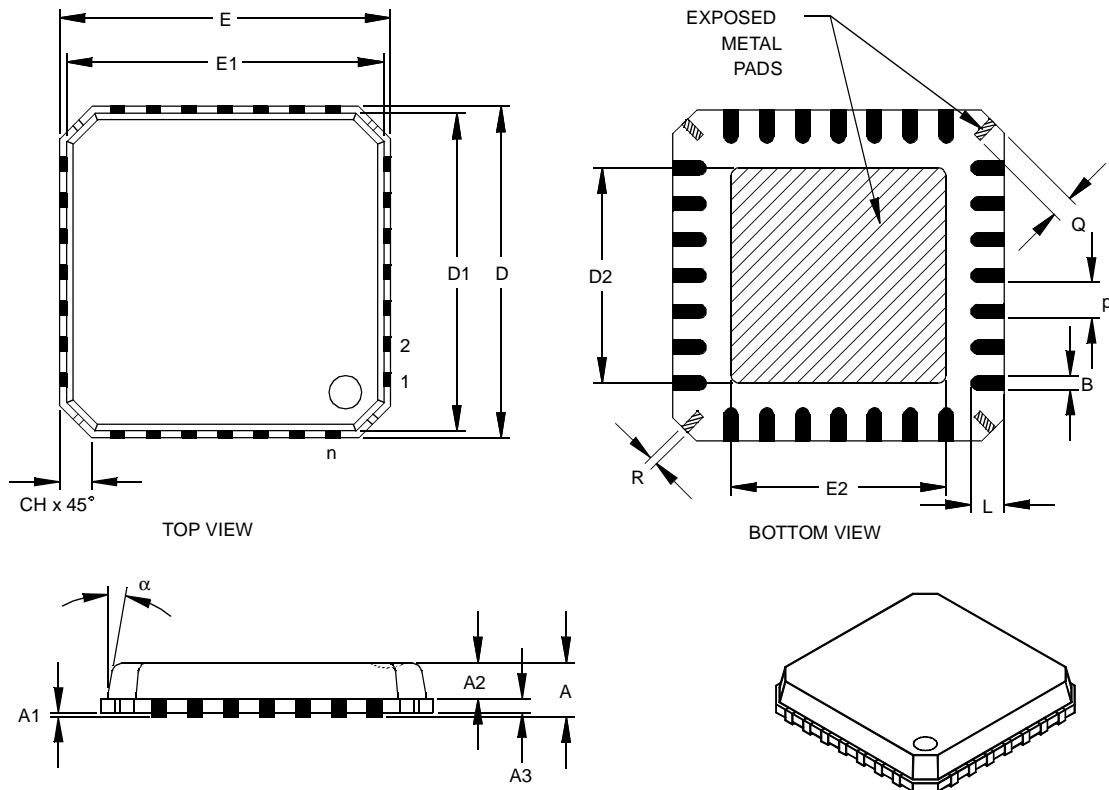
Notes:

Dimensions D and E1 do not include mold flash or protrusions. Mold flash or protrusions shall not exceed .010" (0.254mm) per side.

JEDEC Equivalent: MS-150

Drawing No. C04-073

28-Lead Plastic Quad Flat No Leads Package (ML) 6x6 mm Body (QFN)



Units		INCHES			MILLIMETERS*		
Dimension Limits		MIN	NOM	MAX	MIN	NOM	MAX
Number of Pins	n		28			28	
Pitch	p	.026 BSC			0.65 BSC		
Overall Height	A		.033	.039		0.85	1.00
Molded Package Thickness	A2		.026	.031		0.65	0.80
Standoff	A1	.000	.0004	.002	0.00	0.01	0.05
Base Thickness	A3	.008 REF.			0.20 REF.		
Overall Width	E	.236 BSC			6.00 BSC		
Molded Package Width	E1	.226 BSC			5.75 BSC		
Exposed Pad Width	E2	.140	.146	.152	3.55	3.70	3.85
Overall Length	D	.236 BSC			6.00 BSC		
Molded Package Length	D1	.226 BSC			5.75 BSC		
Exposed Pad Length	D2	.140	.146	.152	3.55	3.70	3.85
Lead Width	B	.009	.011	.014	0.23	0.28	0.35
Lead Length	L	.020	.024	.030	0.50	0.60	0.75
Tie Bar Width	R	.005	.007	.010	0.13	0.17	0.23
Tie Bar Length	Q	.012	.016	.026	0.30	0.40	0.65
Chamfer	CH	.009	.017	.024	0.24	0.42	0.60
Mold Draft Angle Top	α			12°			12°

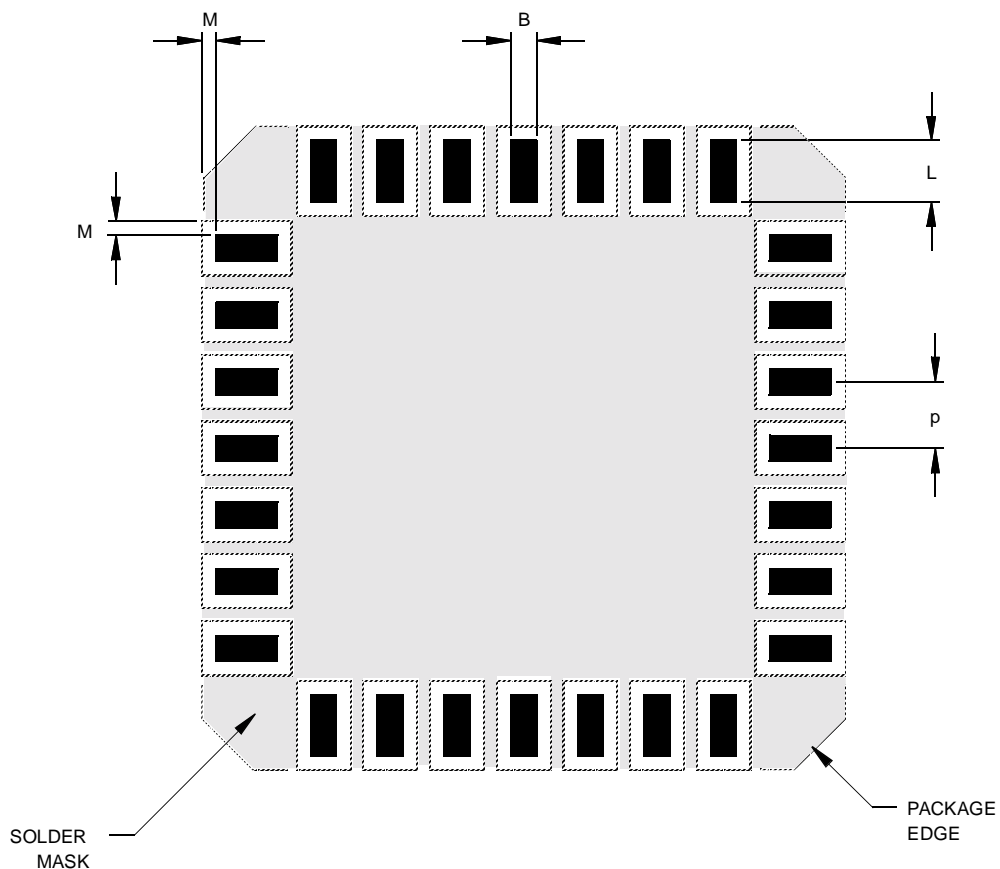
* Controlling Parameter

Notes: Dimensions D and E1 do not include mold flash or protrusions. Mold flash or protrusions shall not exceed .010" (0.254mm) per side.
JEDEC equivalent: pending

Drawing No. C04-114

MCP23016

28-Lead Plastic Quad Flat No Leads Package (ML) 6x6 mm Body (QFN) (Continued)



Dimension Limits	Units	INCHES			MILLIMETERS*		
		MIN	NOM	MAX	MIN	NOM	MAX
Pitch	p	.026 BSC			0.65 BSC		
Pad Width	B	.009	.011	.014	0.23	0.28	0.35
Pad Length	L	.020	.024	.030	0.50	0.60	0.75
Pad to Solder Mask	M	.005		.006	0.13		0.15

*Controlling Parameter

Drawing No. C04-2114

APPENDIX A: REVISION HISTORY

Revision A (December 2002)

Original data sheet for MCP23016 device.

Revision B (September 2003)

1. Addition of Output Low Voltage section to Table 2-1 in Electrical Characteristics.
2. Addition of Output High Voltage section to Table 2-1 in Electrical Characteristics.

MCP23016

NOTES:

PRODUCT IDENTIFICATION SYSTEM

To order or obtain information (e.g., on pricing or delivery) refer to the factory or the listed sales office.

<u>PART NO.</u>	<u>X</u>	<u>/XX</u>
Device	Temperature Range	Package
Device:	MCP23016: 16-Bit I ² C I/O Expander	
Temperature Range:	I = -40°C to +85°C	
Package:	SP = Plastic DIP (300 mil Body), 28-lead SO = Plastic SOIC, Wide (300 mil Body), 28-lead SS = Plastic SOIC, (209 mil, 5.30mm), 28-lead ML = Plastic Quad, Flat No Leads (QFN), 28-lead	

Examples:

- a) MCP23016-I/P: Industrial Temperature, PDIP package.
- a) MCP23016-I/SO: Industrial Temperature, SOIC package.
- a) MCP23016-I/SS: Industrial Temperature, SOIC package.
- a) MCP23016-I/ML: Industrial Temperature, QFN package.

Sales and Support

Data Sheets

Products supported by a preliminary Data Sheet may have an errata sheet describing minor operational differences and recommended workarounds. To determine if an errata sheet exists for a particular device, please contact one of the following:

1. Your local Microchip sales office
2. The Microchip Corporate Literature Center U.S. FAX: (480) 792-7277
3. The Microchip Worldwide Site (www.microchip.com)

Please specify which device, revision of silicon and Data Sheet (include Literature #) you are using.

Customer Notification System

Register on our web site (www.microchip.com/cn) to receive the most current information on our products.

MCP23016

NOTES:

Note the following details of the code protection feature on Microchip devices:

- Microchip products meet the specification contained in their particular Microchip Data Sheet.
- Microchip believes that its family of products is one of the most secure families of its kind on the market today, when used in the intended manner and under normal conditions.
- There are dishonest and possibly illegal methods used to breach the code protection feature. All of these methods, to our knowledge, require using the Microchip products in a manner outside the operating specifications contained in Microchip's Data Sheets. Most likely, the person doing so is engaged in theft of intellectual property.
- Microchip is willing to work with the customer who is concerned about the integrity of their code.
- Neither Microchip nor any other semiconductor manufacturer can guarantee the security of their code. Code protection does not mean that we are guaranteeing the product as "unbreakable."

Code protection is constantly evolving. We at Microchip are committed to continuously improving the code protection features of our products. Attempts to break microchip's code protection feature may be a violation of the Digital Millennium Copyright Act. If such acts allow unauthorized access to your software or other copyrighted work, you may have a right to sue for relief under that Act.

Information contained in this publication regarding device applications and the like is intended through suggestion only and may be superseded by updates. It is your responsibility to ensure that your application meets with your specifications. No representation or warranty is given and no liability is assumed by Microchip Technology Incorporated with respect to the accuracy or use of such information, or infringement of patents or other intellectual property rights arising from such use or otherwise. Use of Microchip's products as critical components in life support systems is not authorized except with express written approval by Microchip. No licenses are conveyed, implicitly or otherwise, under any intellectual property rights.

Trademarks

The Microchip name and logo, the Microchip logo, Accuron, dsPIC, KEELOQ, MPLAB, PIC, PICmicro, PICSTART, PRO MATE and PowerSmart are registered trademarks of Microchip Technology Incorporated in the U.S.A. and other countries.


AmpLab, FilterLab, microID, MXDEV, MXLAB, PICMASTER, SEEVAL and The Embedded Control Solutions Company are registered trademarks of Microchip Technology Incorporated in the U.S.A.

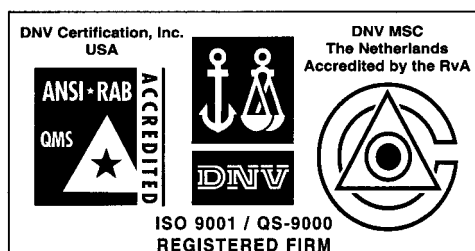
Application Maestro, dsPICDEM, dsPICDEM.net, ECAN, ECONOMONITOR, FanSense, FlexROM, fuzzyLAB, In-Circuit Serial Programming, ICSP, ICEPIC, microPort, Migratable Memory, MPASM, MPLIB, MPLINK, MPSIM, PICkit, PICDEM, PICDEM.net, PowerCal, PowerInfo, PowerMate, PowerTool, rfLAB, rfPIC, Select Mode, SmartSensor, SmartShunt, SmartTel and Total Endurance are trademarks of Microchip Technology Incorporated in the U.S.A. and other countries.

Serialized Quick Turn Programming (SQTP) is a service mark of Microchip Technology Incorporated in the U.S.A.

All other trademarks mentioned herein are property of their respective companies.

© 2003, Microchip Technology Incorporated, Printed in the U.S.A., All Rights Reserved.

 Printed on recycled paper.



Microchip received QS-9000 quality system certification for its worldwide headquarters, design and wafer fabrication facilities in Chandler and Tempe, Arizona in July 1999 and Mountain View, California in March 2002. The Company's quality system processes and procedures are QS-9000 compliant for its PICmicro® 8-bit MCUs, KEELOQ® code hopping devices, Serial EEPROMs, microperipherals, non-volatile memory and analog products. In addition, Microchip's quality system for the design and manufacture of development systems is ISO 9001 certified.



WORLDWIDE SALES AND SERVICE

AMERICAS

Corporate Office

2355 West Chandler Blvd.
Chandler, AZ 85224-6199
Tel: 480-792-7200
Fax: 480-792-7277
Technical Support: 480-792-7627
Web Address: <http://www.microchip.com>

Atlanta

3780 Mansell Road, Suite 130
Alpharetta, GA 30022
Tel: 770-640-0034
Fax: 770-640-0307

Boston

2 Lan Drive, Suite 120
Westford, MA 01886
Tel: 978-692-3848
Fax: 978-692-3821

Chicago

333 Pierce Road, Suite 180
Itasca, IL 60143
Tel: 630-285-0071
Fax: 630-285-0075

Dallas

4570 Westgrove Drive, Suite 160
Addison, TX 75001
Tel: 972-818-7423
Fax: 972-818-2924

Detroit

Tri-Atria Office Building
32255 Northwestern Highway, Suite 190
Farmington Hills, MI 48334
Tel: 248-538-2250
Fax: 248-538-2260

Kokomo

2767 S. Albright Road
Kokomo, IN 46902
Tel: 765-864-8360
Fax: 765-864-8387

Los Angeles

18201 Von Karman, Suite 1090
Irvine, CA 92612
Tel: 949-263-1888
Fax: 949-263-1338

Phoenix

2355 West Chandler Blvd.
Chandler, AZ 85224-6199
Tel: 480-792-7966
Fax: 480-792-4338

San Jose

2107 North First Street, Suite 590
San Jose, CA 95131
Tel: 408-436-7950
Fax: 408-436-7955

Toronto

6285 Northam Drive, Suite 108
Mississauga, Ontario L4V 1X5, Canada
Tel: 905-673-0699
Fax: 905-673-6509

ASIA/PACIFIC

Australia

Suite 22, 41 Rawson Street
Epping 2121, NSW
Australia
Tel: 61-2-9868-6733
Fax: 61-2-9868-6755

China - Beijing

Unit 915
Bei Hai Wan Tai Bldg.
No. 6 Chaoyangmen Beidajie
Beijing, 100027, No. China
Tel: 86-10-85282100
Fax: 86-10-85282104

China - Chengdu

Rm. 2401-2402, 24th Floor,
Ming Xing Financial Tower
No. 88 TIDU Street
Chengdu 610016, China
Tel: 86-28-86766200
Fax: 86-28-86766599

China - Fuzhou

Unit 28F, World Trade Plaza
No. 71 Wusi Road
Fuzhou 350001, China
Tel: 86-591-7503506
Fax: 86-591-7503521

China - Hong Kong SAR

Unit 901-6, Tower 2, Metroplaza
223 Hing Fong Road
Kwai Fong, N.T., Hong Kong
Tel: 852-2401-1200
Fax: 852-2401-3431

China - Shanghai

Room 701, Bldg. B
Far East International Plaza
No. 317 Xian Xia Road
Shanghai, 200051
Tel: 86-21-6275-5700
Fax: 86-21-6275-5060

China - Shenzhen

Rm. 1812, 18/F, Building A, United Plaza
No. 5022 Binhe Road, Futian District
Shenzhen 518033, China
Tel: 86-755-82901380
Fax: 86-755-8295-1393

China - Shunde

Room 401, Hongjian Building
No. 2 Fengxiangnan Road, Ronggui Town
Shunde City, Guangdong 528303, China
Tel: 86-765-8395507 Fax: 86-765-8395571

China - Qingdao

Rm. B505A, Fullhope Plaza,
No. 12 Hong Kong Central Rd.
Qingdao 266071, China
Tel: 86-532-5027355 Fax: 86-532-5027205

India

Divyasree Chambers
1 Floor, Wing A (A3/A4)
No. 11, O'Shaughnessy Road
Bangalore, 560 025, India
Tel: 91-80-2290061 Fax: 91-80-2290062

Japan

Benex S-1 6F
3-18-20, Shinyokohama
Kohoku-Ku, Yokohama-shi
Kanagawa, 222-0033, Japan
Tel: 81-45-471-6166 Fax: 81-45-471-6122

Korea

168-1, Youngbo Bldg. 3 Floor
Samsung-Dong, Kangnam-Ku
Seoul, Korea 135-882
Tel: 82-2-554-7200 Fax: 82-2-558-5932 or
82-2-558-5934

Singapore

200 Middle Road
#07-02 Prime Centre
Singapore, 188980
Tel: 65-6334-8870 Fax: 65-6334-8850

Taiwan

Kaohsiung Branch
30F - 1 No. 8
Min Chuan 2nd Road
Kaohsiung 806, Taiwan
Tel: 886-7-536-4818
Fax: 886-7-536-4803

Taiwan

Taiwan Branch
11F-3, No. 207
Tung Hua North Road
Taipei, 105, Taiwan
Tel: 886-2-2717-7175 Fax: 886-2-2545-0139

EUROPE

Austria

Durisolstrasse 2
A-4600 Wels
Austria
Tel: 43-7242-2244-399
Fax: 43-7242-2244-393

Denmark

Regus Business Centre
Lautrup hoy 1-3
Ballerup DK-2750 Denmark
Tel: 45-4420-9895 Fax: 45-4420-9910

France

Parc d'Activite du Moulin de Massy
43 Rue du Saule Trapu
Batiment A - ler Etage
91300 Massy, France
Tel: 33-1-69-53-63-20
Fax: 33-1-69-30-90-79

Germany

Steinheilstrasse 10
D-85737 Ismaning, Germany
Tel: 49-89-627-144-0
Fax: 49-89-627-144-44

Italy

Via Quasimodo, 12
20025 Legnano (MI)
Milan, Italy
Tel: 39-0331-742611
Fax: 39-0331-466781

Netherlands

P. A. De Biesbosch 14
NL-5152 SC Drunen, Netherlands
Tel: 31-416-690399
Fax: 31-416-690340

United Kingdom

505 Eskdale Road
Winnersh Triangle
Wokingham
Berkshire, England RG41 5TU
Tel: 44-118-921-5869
Fax: 44-118-921-5820

07/28/03